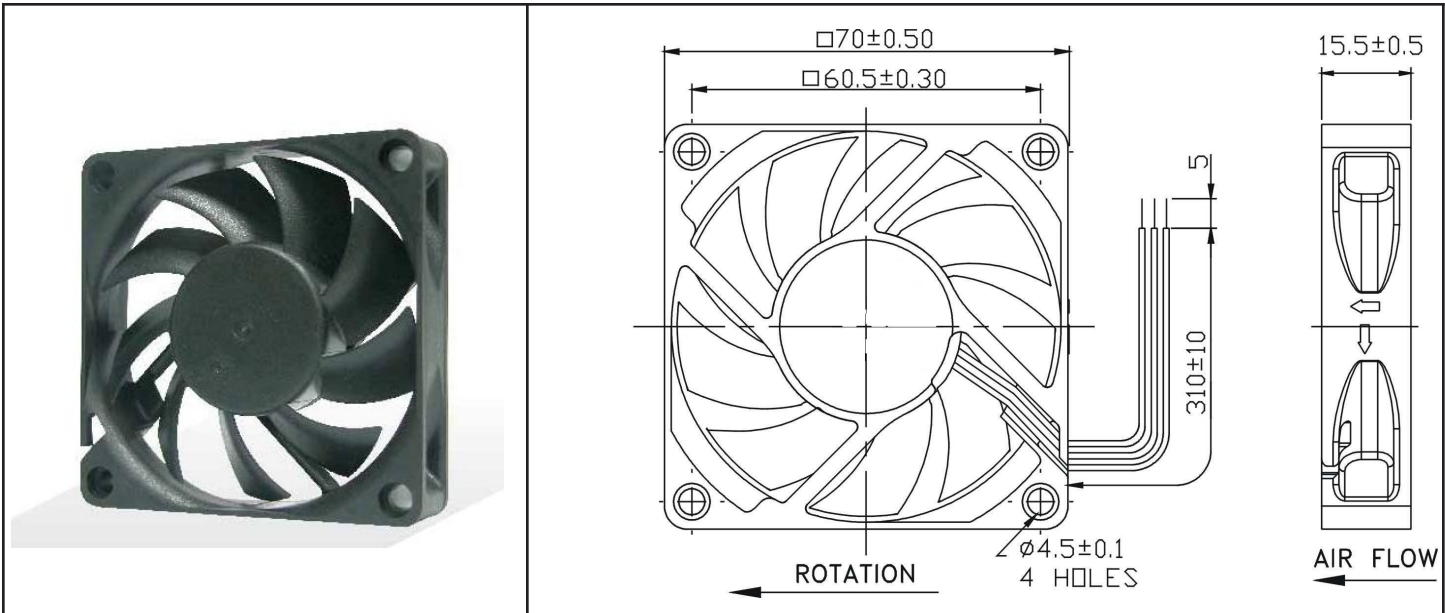


OD7015-12HHB01A



DC Fan, 12VDC
70x15mm (2.76x.60in)



Frame & Impeller	PBT, UL94V-0 plastic	Available Options	<p>Static Pressure</p>
Connection	3x Lead wires *		
Motor	Brushless DC, auto restart, polarity protected.	<p>*Connection:</p> <p>Wire Leads - UL1007</p> <p>24AWG Red(+), Black (-), White Tachometer</p>	
Bearing System	Dual ball bearing		
Insulation Resistance	Min. 10M at 500VDC	Weight: 61 g	
Dielectric Strength	1 second at 500VAC max leakage 500 microamp		
Temperature Range	-10C ~ +70C		
Storage Temperature	-40C ~ +80C		
Life (L10)	70,000 hours (40C)		

Model Number	OD7015-12HHB01A	<p>*Output type.....Open collector type</p> <p>*Electrical design suggestion: (External signal function design is decided by customer)</p> <p>*Transistor Q1 at "ON" position Collector current.....$I_c=10\text{mA Max}$ Saturation Voltage.....$V_{OL}=1.0\text{V Max}$ (Between Collector and Emitter at $I_c=10\text{mA}$)</p> <p>*Transistor Q1 at "OFF" position Release Voltage.....$V_{OH}=15\text{V Max}$</p>
Part Number	112151221	
Nominal Voltage	12 VDC	
Voltage Range	7~13.2 VDC	
Nominal Current	.26 A	
Rated Power	4.32 Watts	
Rated Speed (RPM)	5500	
Airflow (CFM)	41	
Noise Level (dB)	44.5	
Max. Static Pressure	.26 "H ₂ O	